

# ANSI/ASHRAE Standard Building Automation and Control Networks BACnet MS/TP

---

Supported version

TOP Design Studio

V1.4.9.35 or higher



## CONTENTS

---

We want to thank our customers who use the Touch Operation Panel.

- 1. System configuration** [Page 2](#)  
Describes connectable devices and network configurations.
- 2. External device selection** [Page 3](#)  
Select a TOP model and an external device.
- 3. TOP communication setting** [Page 4](#)  
Describes how to set the TOP communication.
- 4. Cable table** [Page 10](#)  
Describe the cable specifications required for connection.
- 5. Supported addresses** [Page 12](#)  
Refer to this section to check the data addresses which can communicate with an external device.

# 1. System configuration

The system configuration of TOP and "BACnet MS/TP" is as follows.

Series	CPU	Link I/F	Communication method	System setting	Cable
BACnet MS/TP Device			RS-232C <sup>*Note 1)</sup>	<a href="#">3. TOP communication setting</a>	<a href="#">4. Cable table</a>
			RS-422		
			RS-485		

**\*Note 1)** For RS-232C configuration, only 1:1 connection is possible.

## ■ Connectable configuration

- 1:1 connection



- 1:N connection

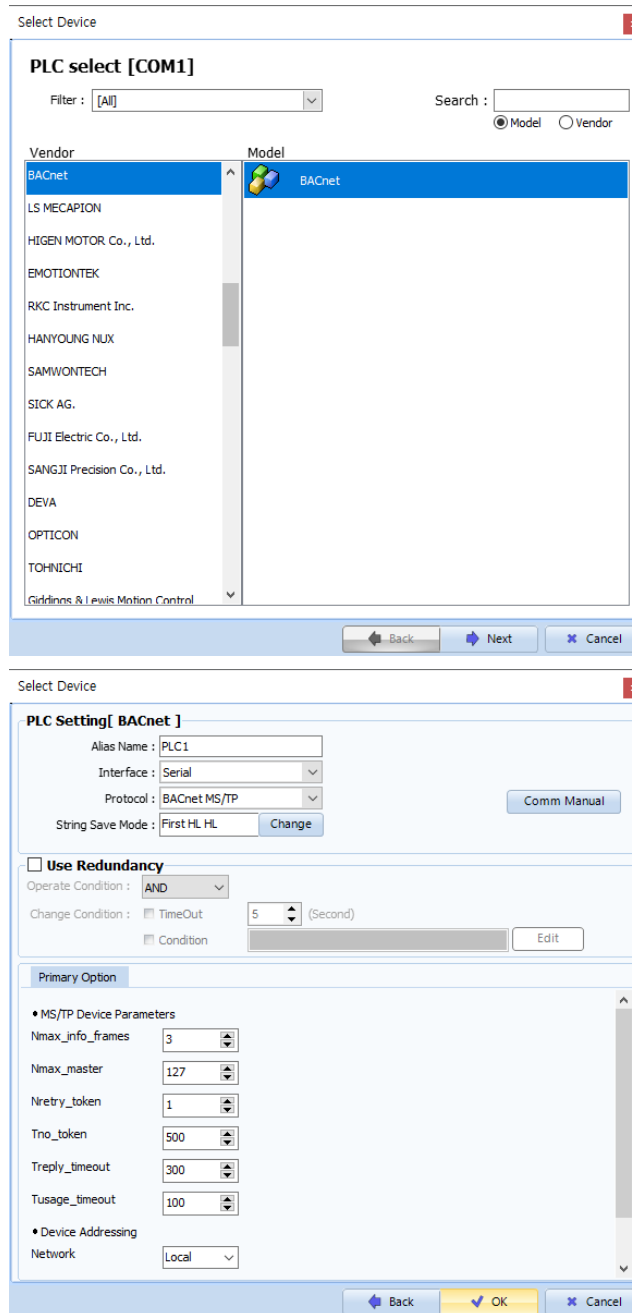


- N : N connection



## 2. External device selection

- Select a TOP model and a port, and then select an external device.



Settings		Contents					
TOP	Model	Check the display and process of TOP to select the touch model.					
External device	Vendor	Select the vendor of the external device to be connected to TOP. Select "BACnet".					
	PLC	Select the external device to be connected to the TOP. <table border="1" style="width: 100%; border-collapse: collapse;"> <thead> <tr> <th>Model</th> <th>Interface</th> <th>Protocol</th> </tr> </thead> <tbody> <tr> <td>BACnet</td> <td>Serial</td> <td>BACnet MS/TP</td> </tr> </tbody> </table> <p>Please check the system configuration in Chapter 1 to see if the external device you want to connect is a model whose system can be configured.</p>	Model	Interface	Protocol	BACnet	Serial
Model	Interface	Protocol					
BACnet	Serial	BACnet MS/TP					

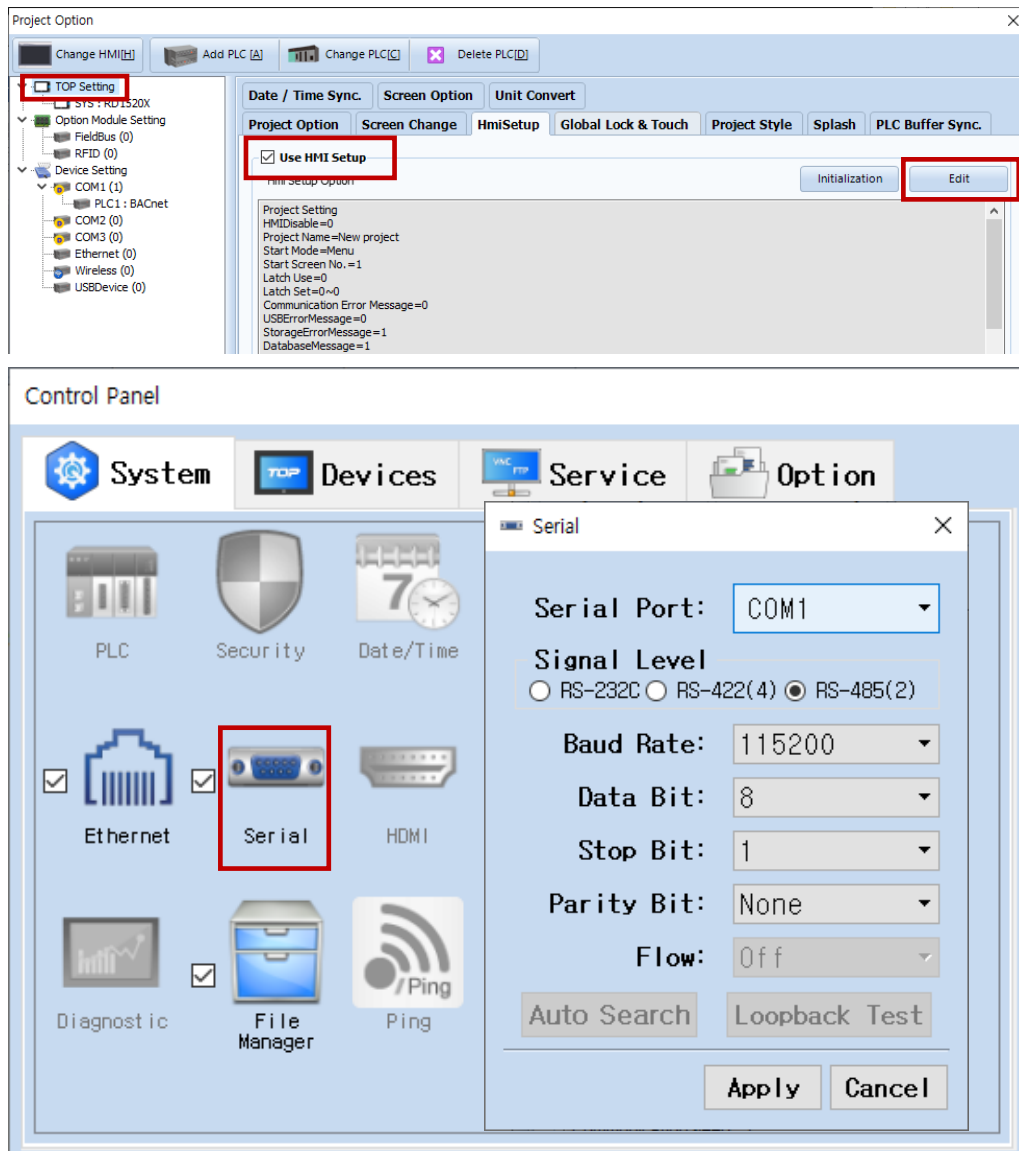
### 3. TOP communication setting

The communication can be set in TOP Design Studio or TOP system menu.

#### 3.1 Communication setting in TOP Design Studio

##### (1) Communication interface setting

- [Project] → [Property] → [TOP Setting] → [HMI Setup] → [Use HMI Setup Check] → [Edit] → [Serial]
  - Set the TOP communication interface in TOP Design Studio.

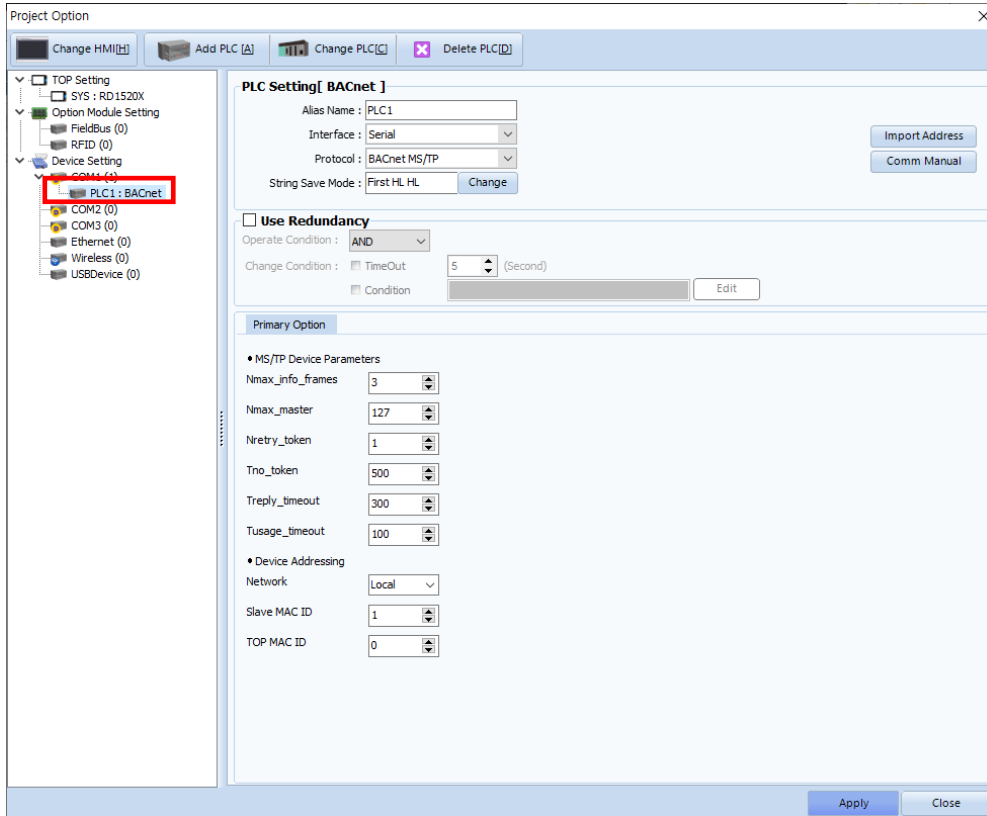


Items	TOP	External device	Remarks
Signal Level	RS-232C RS-422/485	RS-232C RS-422/485	
Baud Rate	115200		
Data Bit	8		
Stop Bit	1		
Parity Bit	None.		

Items	Description
Signal Level	Select the serial communication method between the TOP and an external device. (COM3 supports only RS-485.)
Baud Rate	Select the serial communication speed between the TOP and an external device.
Data Bit	Select the serial communication data bit between the TOP and an external device.
Stop Bit	Select the serial communication stop bit between the TOP and an external device.
Parity Bit	Select the serial communication parity bit check method between the TOP and an external device.

**(2) Communication option setting**

- [Project] → [Project properties] → [PLC settings > COM1 > PLC1: BACnet]
  - Set the options of the BACnet MS/TP communication driver in TOP Design Studio.



\* The above settings are examples recommended by the company.

Items	Settings	Remarks
Interface	Select "Serial".	<a href="#">Refer to "2. External device selection"</a> .
Protocol	Select the communication protocol between the TOP and an external device.	

● **MS/TP Device Parameters**

Items	Settings	Remarks
Nmax_info_frames	Set the number of data communication before TOP delivers the token.	
Nmax_master	Enter the largest master node address.	
Nretry_token	Set the number of token transfer retries.	
Tno_token	Set the time it takes to judge it as token loss.	
Treply_timeout	Set the amount of time to wait for a response to a data request.	
Tusage_timeout	Set the minimum amount of time when a node must spend a token.	

● **Device Addressing**

Items	Settings	Remarks
Network	Select the connection configuration of TOP and the external device.	

■ **When Network is Local**

Slave MAC ID	Enter the node number of the slave.	
TOP MAC ID	Set the node number of TOP.	

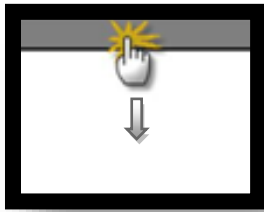
■ **When Network is Remote**

Router Address	Enter the node number of a router.	
Dst Network Number	Enter the number of the network where the slave is located.	
Slave Address	Enter the address information of the slave.	
TOP MAC ID	Set the node number of TOP.	
Src Network Number	Enter the number of the network where TOP is located.	
TOP Address	Enter the address information of TOP.	

### 3.2. Communication setting in TOP

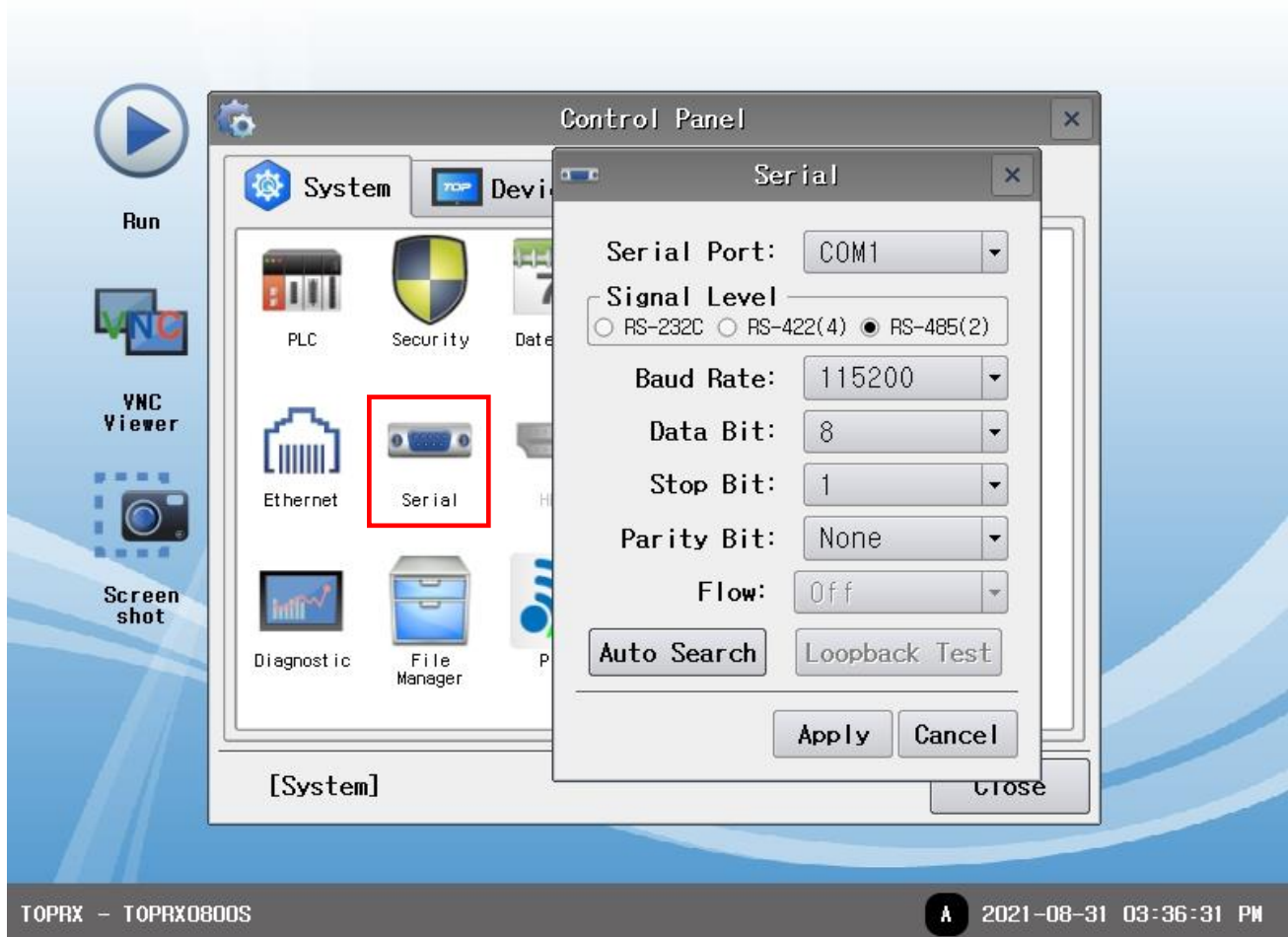
\* This is a setting method when "Use HMI Setup" in the setting items in "3.1 TOP Design Studio" is not checked.

- Touch the top of the TOP screen and drag it down. Touch "EXIT" in the pop-up window to go to the main screen.



#### (1) Communication interface setting

- [Control Panel] → [Serial]

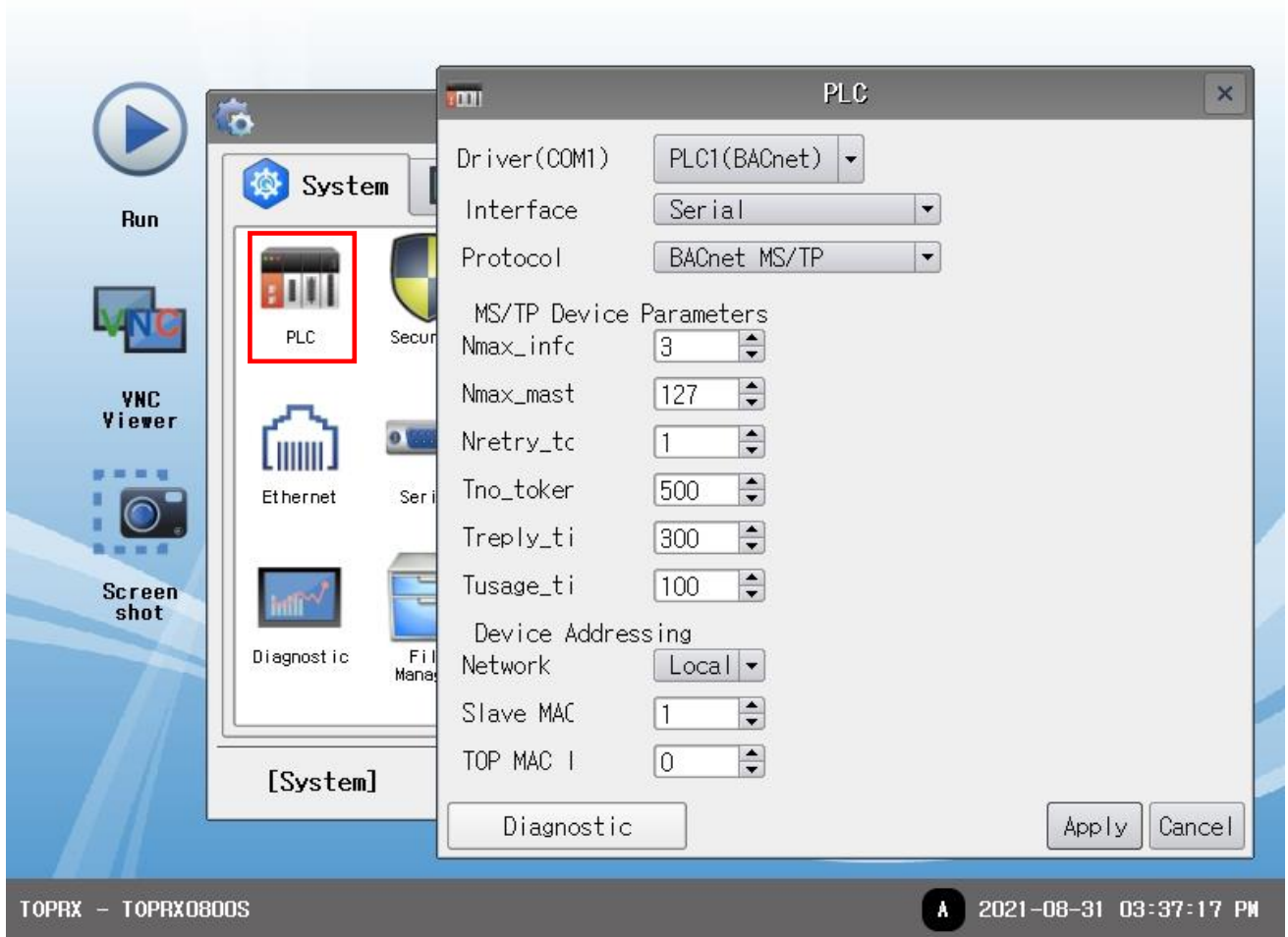


Items	TOP	External device	Remarks
Signal Level	RS-232C RS-422/485	RS-232C RS-422/485	
Baud Rate	115200		
Data Bit	8		
Stop Bit	1		
Parity Bit	None.		

Items	Description
Signal Level	Select the serial communication method between the TOP and an external device. (COM3 supports only RS-485.)
Baud Rate	Select the serial communication speed between the TOP and an external device.
Data Bit	Select the serial communication data bit between the TOP and an external device.
Stop Bit	Select the serial communication stop bit between the TOP and an external device.
Parity Bit	Select the serial communication parity bit check method between the TOP and an external device.

(2) Communication option setting

■ [Control Panel] → [PLC]



Items	Settings	Remarks
Interface	Select "Serial".	<a href="#">Refer to "2. External device selection".</a>
Protocol	Select the communication protocol between the TOP and an external device.	

● MS/TP Device Parameters

Items	Settings	Remarks
Nmax_info_frames	Set the number of data communication before TOP delivers the token.	
Nmax_master	Enter the largest master node address.	
Nretry_token	Set the number of token transfer retries.	
Tno_token	Set the time it takes to judge it as token loss.	
Treply_timeout	Set the amount of time to wait for a response to a data request.	
Tusage_timeout	Set the minimum amount of time when a node must spend a token.	

● Device Addressing

Items	Settings	Remarks
Network	Select the connection configuration of TOP and the external device.	

■ When Network is Local

Slave MAC ID	Enter the node number of the slave.	
TOP MAC ID	Set the node number of TOP.	

■ When Network is Remote

Router Address	Enter the node number of a router.	
Dst Network Number	Enter the number of the network where the slave is located.	
Slave Address	Enter the address information of the slave.	
TOP MAC ID	Set the node number of TOP.	
Src Network Number	Enter the number of the network where TOP is located.	
TOP Address	Enter the address information of TOP.	

### 3.3 Communication diagnostics

- Check the interface setting status between the TOP and an external device.
  - Touch the top of the TOP screen and drag it down. Touch "EXIT" in the pop-up window to go to the main screen.
  - Check that the settings of the connected ports in [Control Panel] → [Serial] are the same as the settings of the external device.
  
- Diagnosis of whether the port communication is normal or not
  - Touch "Communication diagnostics" in [Control Panel] → [PLC].
  - Check whether communication is connected or not.

<b>Communication diagnostics succeeded</b>	<b>Communication setting normal</b>
<b>Error message</b>	<b>Communication setting abnormal</b> - Check the cable, TOP, and external device settings. (Refer to Communication diagnostics sheet.)

- Communication diagnostics sheet
  - If there is a problem with the communication connection with an external terminal, please check the settings in the sheet below.

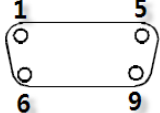
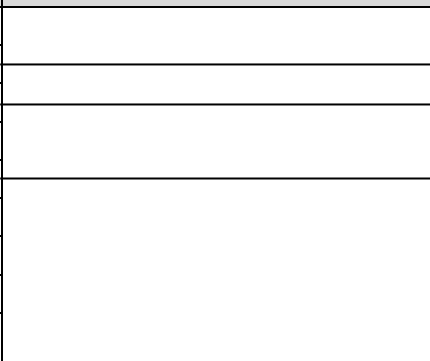
Items	Contents	Check		Remarks	
		OK	NG		
System configuration	How to connect the system	OK	NG	<a href="#">1. System configuration</a>	
	Cable	OK	NG		
TOP	Version	OK	NG	<a href="#">2. External device selection</a> <a href="#">3. Communication setting</a>	
	Communication port	OK	NG		
	Communication driver and protocol	OK	NG		
	Other detailed settings	OK	NG		
	Relative prefix	Project setting	OK		NG
		Communication diagnostics	OK		NG
	Serial Parameter	Transmission Speed	OK		NG
		Data Bit	OK		NG
Stop Bit		OK	NG		
Parity Bit		OK	NG		
External device	CPU	OK	NG		
	Communication port	OK	NG		
	Protocol	OK	NG		
	Setup Prefix	OK	NG		
	Other detailed settings	OK	NG		
	Serial Parameter	Transmission Speed	OK		NG
		Data Bit	OK		NG
		Stop Bit	OK		NG
		Parity Bit	OK		NG
	Check address range	OK	NG		<a href="#">5. Supported addresses</a> (For details, please refer to the PLC vendor's manual.)



## 4. Cable table

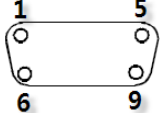
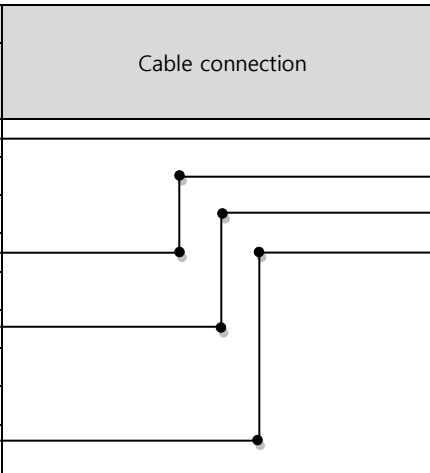
This chapter introduces a cable diagram for normal communication between the TOP and the corresponding device.  
(The cable diagrams in this section may differ from the external device vendor's recommendations.)

### ■ RS-232C (1:1 connection)

COM1 / COM2			Cable connection	BACnet MS/TP Device	
Pin arrangement <sup>*Note 1)</sup>	Signal name	Pin number		Signal name	
 <p>Based on communication cable connector front, D-SUB 9 Pin male (male, convex)</p>	CD	1			
	RD	2		SD	
	SD	3		RD	
	DTR	4		DTR	
	SG	5		SG	
	DSR	6		DSR	
	RTS	7		RTS	
	CTS	8		CTS	
		9			

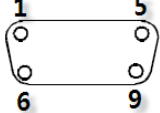
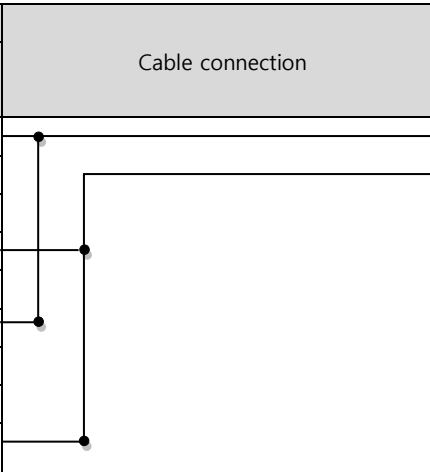
\*Note 1) The pin arrangement is as seen from the connecting side of the cable connection connector.

### ■ RS-422 (1:1 connection)

COM1 / COM2			Cable connection	BACnet MS/TP Device	
Pin arrangement <sup>*Note 1)</sup>	Signal name	Pin number		Signal name	
 <p>Based on communication cable connector front, D-SUB 9 Pin male (male, convex)</p>	RDA(+)	1		SDA(+)	
		2		SDB(-)	
		3		RDA(+)	
	RDB(-)	4		RDB(-)	
	SG	5		SG	
	SDA(+)	6			
		7			
		8			
	SDB(-)	9			

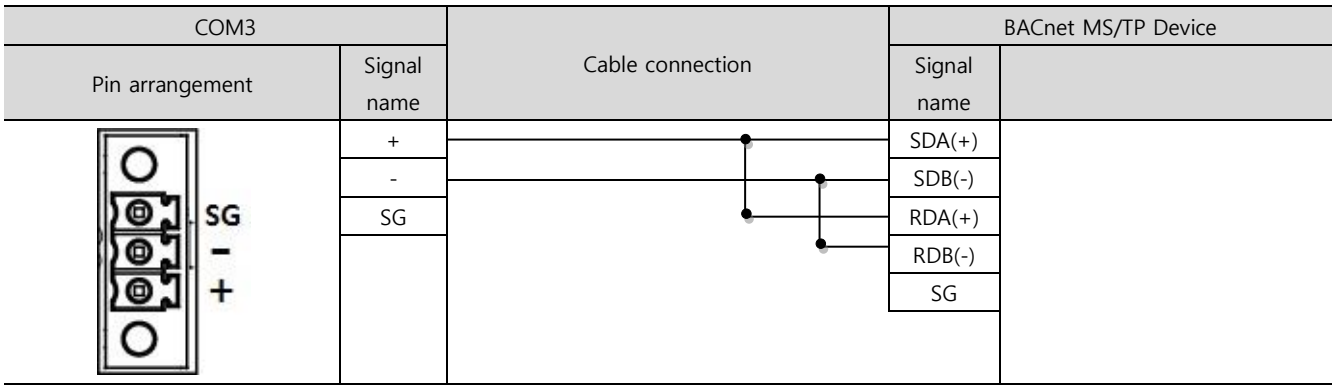
\*Note 1) The pin arrangement is as seen from the connecting side of the cable connection connector.

### ■ RS-485 (1:1 connection)

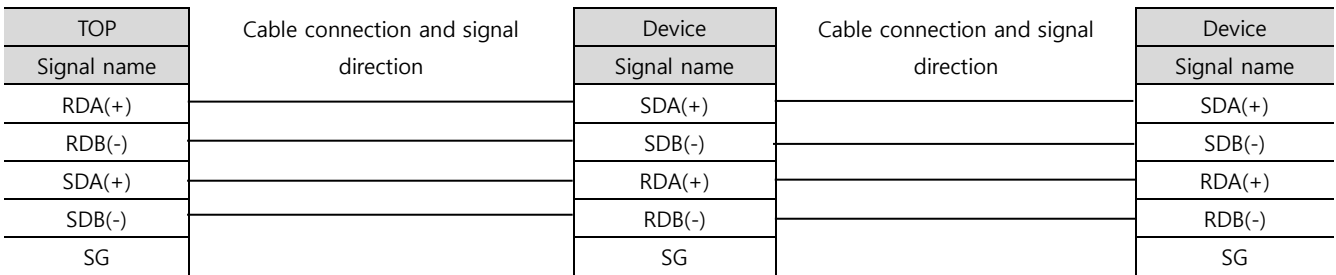
COM1 / COM2			Cable connection	BACnet MS/TP Device	
Pin arrangement <sup>*Note 1)</sup>	Signal name	Pin number		Signal name	
 <p>Based on communication cable connector front, D-SUB 9 Pin male (male, convex)</p>	RDA(+)	1		+	
		2		-	
		3			
	RDB(-)	4			
	SG	5			
	SDA(+)	6			
		7			
		8			
	SDB(-)	9			

\*Note 1) The pin arrangement is as seen from the connecting side of the cable connection connector.

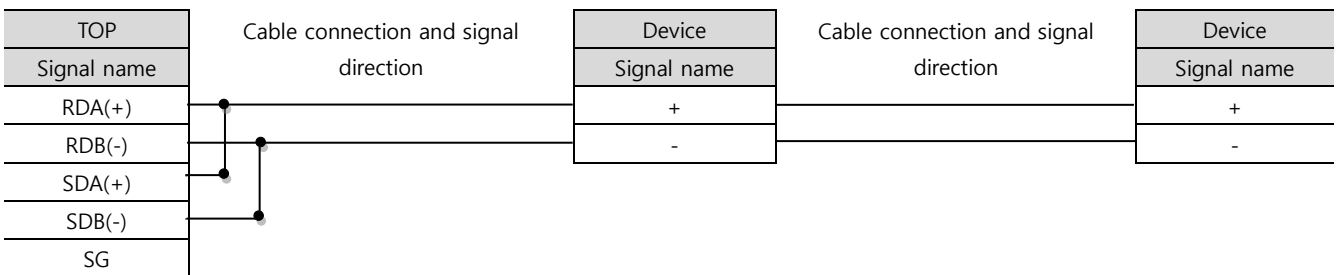
■ RS-485 (1:1 connection)



■ RS-422 (1:N connection)



■ RS-485 (1 : N / N : N connection)



## 5. Supported addresses

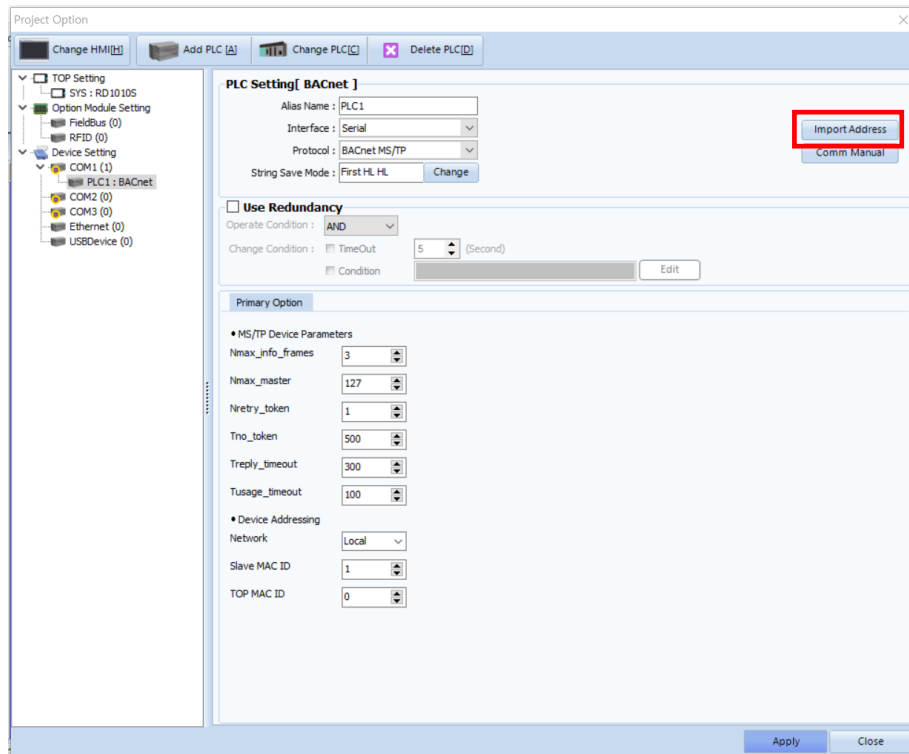
Describes how to register data of BACnet devices in TOP Design Studio.

### ※ Precautions when registering the address

1. You cannot use " ` " in the name of the address.
2. The description field of the address shows [Object type, Instance number, Property].

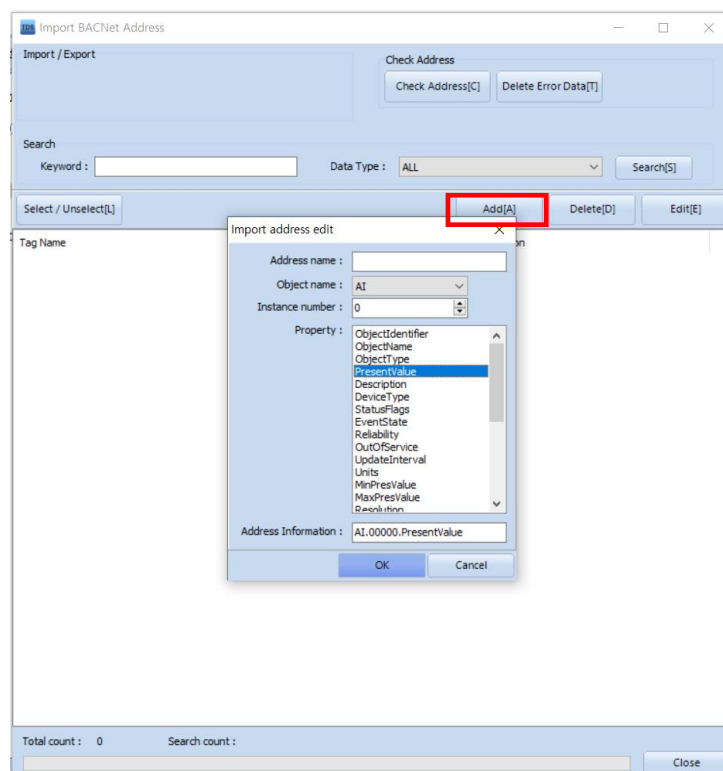
### ■ How to use Import Address

**Step 1.** Execute "Import Address" among PLC setting items in TOP Design Studio.



**Step 2.** After registering the data of the other party's device, start drawing.

(The picture below is an example of registering the current value of the Analog Output object whose instance number is 1 with the name "Sensor\_01".)



■ Object and property supported in TOP Design Studio

※ Character String data type supports up to 80 characters.  
Character String data type supports ANSI X3.4 encoding method.

OBJECT TYPE	PROPERTY	Remarks
<b>Analog Input (AI)</b>	ObjectIdentifier	
	ObjectName	
	ObjectType	
	PresentValue	
	Description	
	DeviceType	
	StatusFlags	
	EventState	
	Reliability	
	OutOfService	
	UpdateInterval	
	Units	
	MinPresValue	
	MaxPresValue	
	Resolution	
	COVIncrement	
	TimeDelay	
	NotificationClass	
	HighLimit	
	LowLimit	
	Deadband	
	LimitEnable	
	EventEnable	
AckedTransition		
NotifyType		
EventTimeStamps		
ProfileName		
<b>Analog Output (AO)</b>	ObjectIdentifier	
	ObjectName	
	ObjectType	
	PresentValue	
	Description	
	DeviceType	
	StatusFlags	
	EventState	
	Reliability	
	OutOfService	
	UpdateInterval	
	Units	
	MinPresValue	
	MaxPresValue	
	Resolution	
	PriorityArray	
	RelinquishDefault	
	COVIncrement	
	TimeDelay	
	NotificationClass	
	HighLimit	
	LowLimit	



OBJECT TYPE	PROPERTY	Remarks
	Deadband	
	LimitEnable	
	EventEnable	
	AckedTransition	
	NotifyType	
	EventTimeStamps	
	ProfileName	
<b>Analog Value (AV)</b>	ObjectIdentifier	
	ObjectName	
	ObjectType	
	PresentValue	
	Description	
	StatusFlags	
	EventState	
	Reliability	
	OutOfService	
	Units	
	PriorityArray	
	RelinquishDefault	
	COVIncrement	
	TimeDelay	
	NotificationClass	
	HighLimit	
	LowLimit	
	Deadband	
	LimitEnable	
	EventEnable	
	AckedTransition	
	NotifyType	
	EventTimeStamps	
	ProfileName	
	<b>Binary Input (BI)</b>	ObjectIdentifier
ObjectName		
ObjectType		
PresentValue		
Description		
DeviceType		
StatusFlags		
EventState		
Reliability		
OutOfService		
Polarity		
InactiveText		
ActiveText		
ChangeOfStateTime		
ChangeOfStateCount		
TimeOfStateCountReset		
ElapsedActiveTime		
TimeOfActiveTimeReset		
TimeDelay		
NotificationClass		
AlarmValue		
EventEnable		



OBJECT TYPE	PROPERTY	Remarks	
	AckedTransition		
	NotifyType		
	EventTimeStamps		
	ProfileName		
<b>Binary Output (BO)</b>	ObjectIdentifier		
	ObjectName		
	ObjectType		
	PresentValue		
	Description		
	DeviceType		
	StatusFlags		
	EventState		
	Reliability		
	OutOfService		
	Polarity		
	InactiveText		
	ActiveText		
	ChangeOfStateTime		
	ChangeOfStateCount		
	TimeOfStateCountReset		
	ElapsedActiveTime		
	TimeOfActiveTimeReset		
	MinimumOffTime		
	MinimumOnTime		
	PriorityArray		
	RelinquishDefault		
	TimeDelay		
	NotificationClass		
	FeedbackValue		
	EventEnable		
	AckedTransition		
	NotifyType		
	EventTimeStamps		
	ProfileName		
	<b>Binary Value (BV)</b>	ObjectIdentifier	
		ObjectName	
ObjectType			
PresentValue			
Description			
StatusFlags			
EventState			
Reliability			
OutOfService			
InactiveText			
ActiveText			
ChangeOfStateTime			
ChangeOfStateCount			
TimeOfStateCountReset			
ElapsedActiveTime			
TimeOfActiveTimeReset			
MinimumOffTime			
MinimumOnTime			
PriorityArray			



OBJECT TYPE	PROPERTY	Remarks
	RelinquishDefault	
	TimeDelay	
	NotificationClass	
	AlarmValue	
	EventEnable	
	AckedTransition	
	NotifyType	
	EventTimeStamps	
	ProfileName	
Calendar (CD)	ObjectIdentifier	
	ObjectName	
	ObjectType	
	PresentValue	
	DateList	
Command (CM)	ObjectIdentifier	
	ObjectName	
	ObjectType	
	PresentValue	
	InProcess	
	AllWritesSuccessful	
Device (DV)	ObjectIdentifier	
	ObjectName	
	ObjectType	
	SystemStatus	
	VendorName	
	VendorId	
	ModelName	
	FirmwareRevision	
	ApplicationSoftwareVersion	
	ProtocolVersion	
	ProtocolRevision	
	MaxAPDUlengthAccepted	
	SegmentationSupported	
	ApduTimeout	
	NumberOfAPDUretries	
	DataBaseRevision	
	MaxSegmentsAccepted	
	DaylightSavingsStatus	
	ApduSegmentTimeout	
	BackupFailureTimeout	
Event Enrollment (ER)	ObjectIdentifier	
	ObjectName	
	ObjectType	
	Description	
	EventType	
	NotifyType	
	EventParameter	
	ObjectPropertyReference	
	EventState	
	EventEnable	
	AckedTransitions	
	NotificationClass	
	Recipient	



OBJECT TYPE	PROPERTY	Remarks
	ProcessIdentifier	
	Priority	
	IssueConfirmedNotification	
<b>File (FI)</b>	ObjectIdentifier	
	ObjectName	
	ObjectType	
	FileType	
	FileSize	
	Archive	
	ReadOnly	
<b>Group (GR)</b>	ObjectIdentifier	
	ObjectName	
	ObjectType	
	Description	
	ListOfGoupMembers	
<b>Loop (LP)</b>	ObjectIdentifier	
	ObjectName	
	ObjectType	
	PresentValue	
	Description	
<b>Life Safety Point (LSP)</b>	ObjectIdentifier	
	ObjectName	
	ObjectType	
	PresentValue	
	TrackingValue	
	EventState	
	Reliability	
	OutOfService	
	Mode	
	Silenced	
<b>Life Safety Zone (LSZ)</b>	ObjectIdentifier	
	ObjectName	
	ObjectType	
	PresentValue	
	TrackingValue	
	EventState	
	Reliability	
	OutOfService	
	Mode	
	Silenced	
<b>Multi State Input (MI)</b>	ObjectIdentifier	
	ObjectName	
	ObjectType	
	PresentValue	
	EventState	
	OutOfService	
	Reliability	
	NumberofStates	
	TimeDelay	
	NotifyClass	
	NotifyType	
	ProfileName	





OBJECT TYPE	PROPERTY	Remarks
<b>Multi State Output (MO)</b>	ObjectIdentifier	
	ObjectName	
	ObjectType	
	PresentValue	
	EventState	
	OutOfService	
	Reliability	
	NumberOfStates	
	TimeDelay	
	NotifyClass	
	NotifyType	
	ProfileName	
	<b>Multi State Value (MV)</b>	ObjectIdentifier
ObjectName		
ObjectType		
PresentValue		
EventState		
OutOfService		
Reliability		
NumberOfStates		
TimeDelay		
NotifyClass		
NotifyType		
ProfileName		
<b>Notification Class (NC)</b>		ObjectIdentifier
	ObjectName	
	ObjectType	
	NotifyClass	
<b>Program (PG)</b>	ObjectIdentifier	
	ObjectName	
	ObjectType	
	Description	
	ProgramState	
	ProgramChange	
	ReasonForHalt	
	DescriptionOfHalt	
	ProgramLocation	
	InstanceOf	
	StatusFlags	
	Reliability	
	OutOfService	
<b>Schedule (SC)</b>	ObjectIdentifier	
	ObjectName	
	ObjectType	
	PriorityForWriting	
<b>Trend Log (TL)</b>	ObjectIdentifier	
	ObjectName	
	ObjectType	
	Enable	
	StopWhenFull	
	BufferSize	
	RecordCount	
TotalRecordCount		